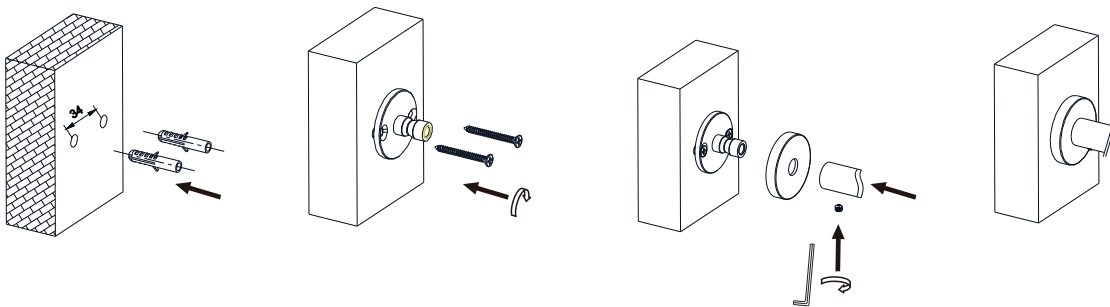


Installation Method 1



Installation Method 2

